

Moving in the right direction by saving **Energy and Money**



Electric Salamander

Hatco's electric Salamander is specially-designed for versatility in the kitchen with the capability to cook, grill, reheat, and keep food hot.

The plate detection feature activates the instant-on heating elements automatically when a food plate comes into contact with the plate detection bar. Removal of the food plate turns off the heating elements automatically, conserving energy and saving you money.

- ◆ Three independently-controlled instant-on heating elements provide the benefits of on-demand cooking and energy conservation
- ◆ Adjustable hood gives 4 1/2" (114 mm) of vertical movement for maximum versatility
- ◆ Featuring high-powered infrared ribbon heating elements
- ◆ Heating elements are on only when a cook or hold cycle has been activated, eliminating residual heat in the kitchen environment
- ◆ The HOLD function has eight programmable heat levels and is ideal for keeping food hot or for reheating food
- ◆ Features a flat, touch control panel and stainless steel construction

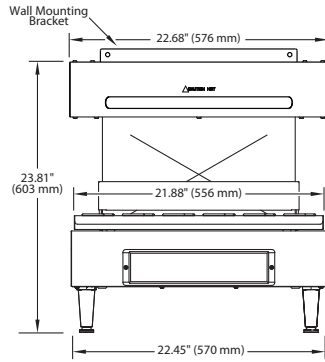


(800) 558-0607 ◆ (414) 671-6350 ◆ www.hatcocorp.com

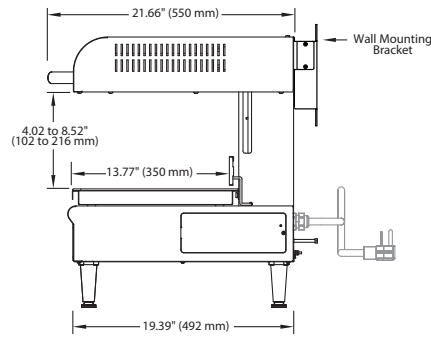


ELECTRIC SALAMANDER

Model SAL-1



Front View



Side View

SPECIFICATIONS

Model	Volts	Watts	Amps	Phase	Shipping Weight
SAL-1	208	4500	21.6	1	144 lbs. (66 kg)
	240	4500	18.8	1	144 lbs. (66 kg)

DIMENSIONS

22.68"-W x 21.66"D x 23.81"H (576 x 550 x 603 mm)
(height includes 4" legs)
(add 2.01" [51 mm] to depth for wall-mounted units).

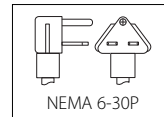
VOLTAGE

208 volts, 4500 watts, 21.6 amps, single phase, 50/60 Hz
(use NEMA 6-30P)
240 volts, 4500 watts, 18.8 amps, single phase, 50/60Hz
(use NEMA 6-30P)
Export voltages available.

CORD LOCATION

Back of unit, lower left side.

PLUG CONFIGURATIONS



OPTION (Available at time of purchase only)

- Hardwiring (in lieu of standard 4' [1219 mm] cord and plug)

PRODUCT SPECS

Salamander

The Salamander shall be model ... as manufactured by the Hatco Corporation, Milwaukee, WI 53234 U.S.A.

The salamander shall be rated at ... watts, ... volts, and be ... inches (millimeters) in overall width. It shall consist of stainless steel construction, three heating elements.

a drip tray, cooking grate, plate detection bar, and a cord with plug attached.

One year on-site parts and labor warranty, with 24/7 service (U.S. and Canada only).

HATCO CORPORATION P.O. Box 340500 Milwaukee, WI 53234-0500 U.S.A. • (800) 558-0607 • (414) 671-6350
Fax (800) 543-7521 • Int'l. Fax (414) 671-3976 • www.hatcocorp.com • E-mail: equipsales@hatcocorp.com